



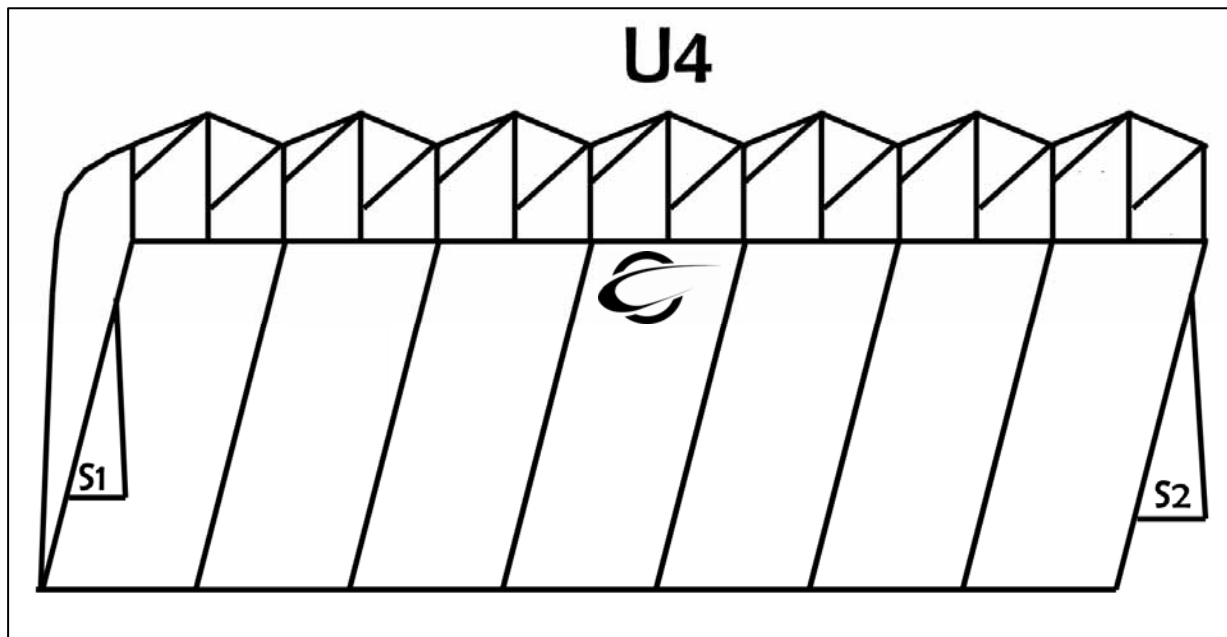
**For Office Use Only**    Total: \_\_\_\_\_    Ship Date: \_\_\_\_\_    Deposit: \_\_\_\_\_  
Invoice #: \_\_\_\_\_    Balance: \_\_\_\_\_    Shipping: \_\_\_\_\_    Total Paid: \_\_\_\_\_

Name \_\_\_\_\_  
Address \_\_\_\_\_  
City \_\_\_\_\_  
State \_\_\_\_\_ Zip \_\_\_\_\_  
Country \_\_\_\_\_  
Phone/Fax \_\_\_\_\_  
E-Mail \_\_\_\_\_  
Weight \_\_\_\_\_  
Dealer \_\_\_\_\_

Size:  
185  205  225  245  265

Options:  
Additional Fine Mesh Slider \_\_\_\_\_  
(Large Mesh Slider included)

- F111 Colors:**
- U1: grey \_\_\_\_\_
  - U2: grey \_\_\_\_\_
  - U3: grey \_\_\_\_\_
  - U4: \_\_\_\_\_
  - U5: grey \_\_\_\_\_
  - U6: grey \_\_\_\_\_
  - U7: grey \_\_\_\_\_
  - L1: grey \_\_\_\_\_
  - L2: grey \_\_\_\_\_
  - L3: grey \_\_\_\_\_
  - L4: grey \_\_\_\_\_
  - L5: grey \_\_\_\_\_
  - L6: grey \_\_\_\_\_
  - L7: grey \_\_\_\_\_
  - S1: \_\_\_\_\_
  - S2: \_\_\_\_\_
- 1: grey \_\_\_\_\_  
2: grey \_\_\_\_\_  
3: grey \_\_\_\_\_  
4: grey \_\_\_\_\_  
5: grey \_\_\_\_\_  
6: grey \_\_\_\_\_  
7: grey \_\_\_\_\_  
8: grey \_\_\_\_\_  
9: grey \_\_\_\_\_  
10: grey \_\_\_\_\_  
11: grey \_\_\_\_\_  
12: grey \_\_\_\_\_  
13: grey \_\_\_\_\_  
14: grey \_\_\_\_\_  
15: grey \_\_\_\_\_
- ZP Leading edge:  
\_\_\_\_\_



**F111 Colour Options:**  
Black, Red, Orange, Blackberry, Magenta, Fluro yellow, Royal Blue, White, Purple, Navy, Jade (Teal), Gold, Grey, Fluro Green  
ZP Colours (Leading edge):  
Black, Red, White, Royal Blue, Orange, Silver (GREY)

Special Instructions: \_\_\_\_\_  
\_\_\_\_\_  
\_\_\_\_\_